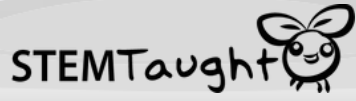
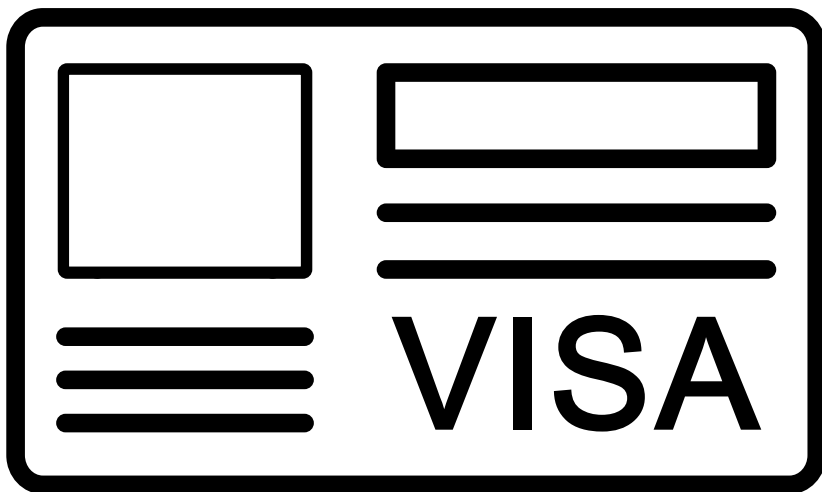
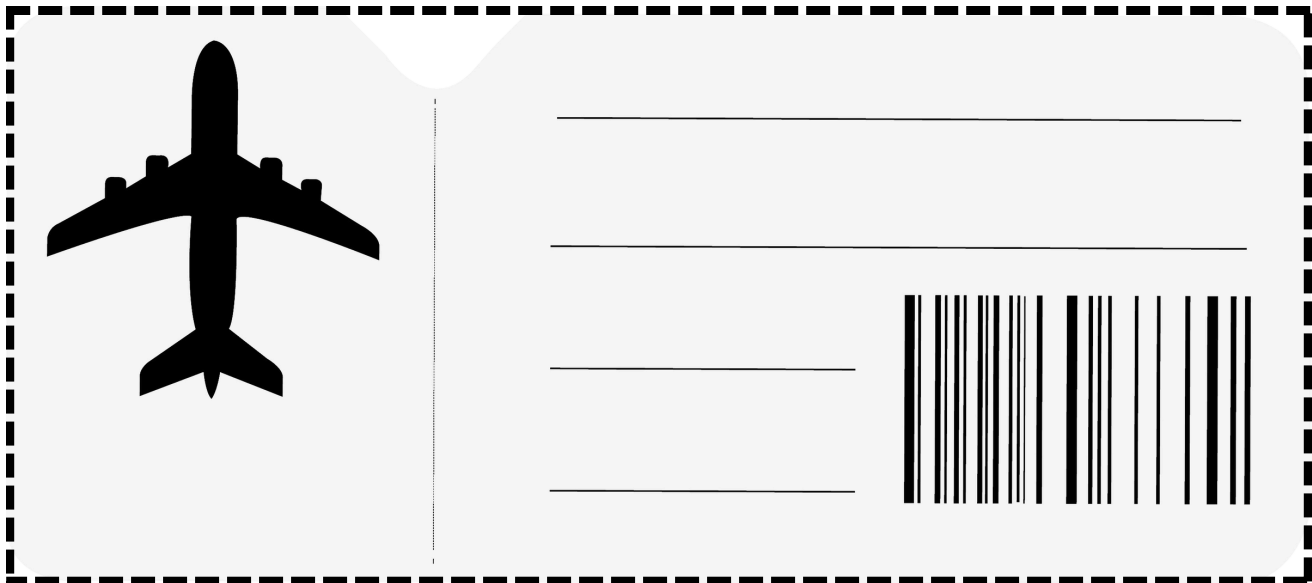
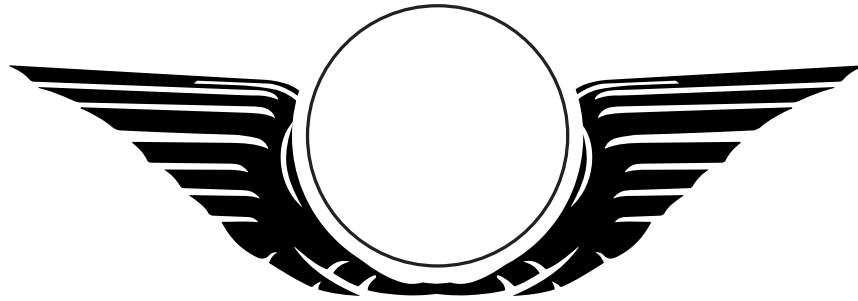


Look up in the sky

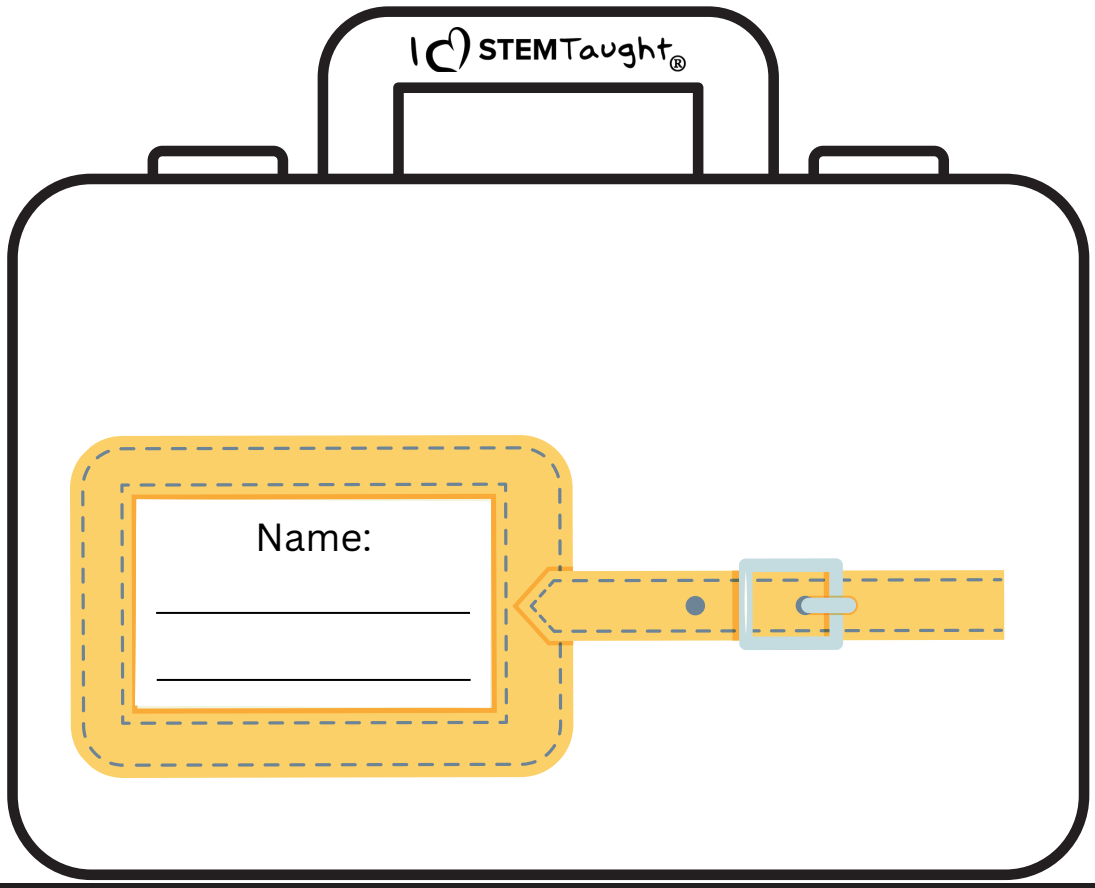


Color what you see

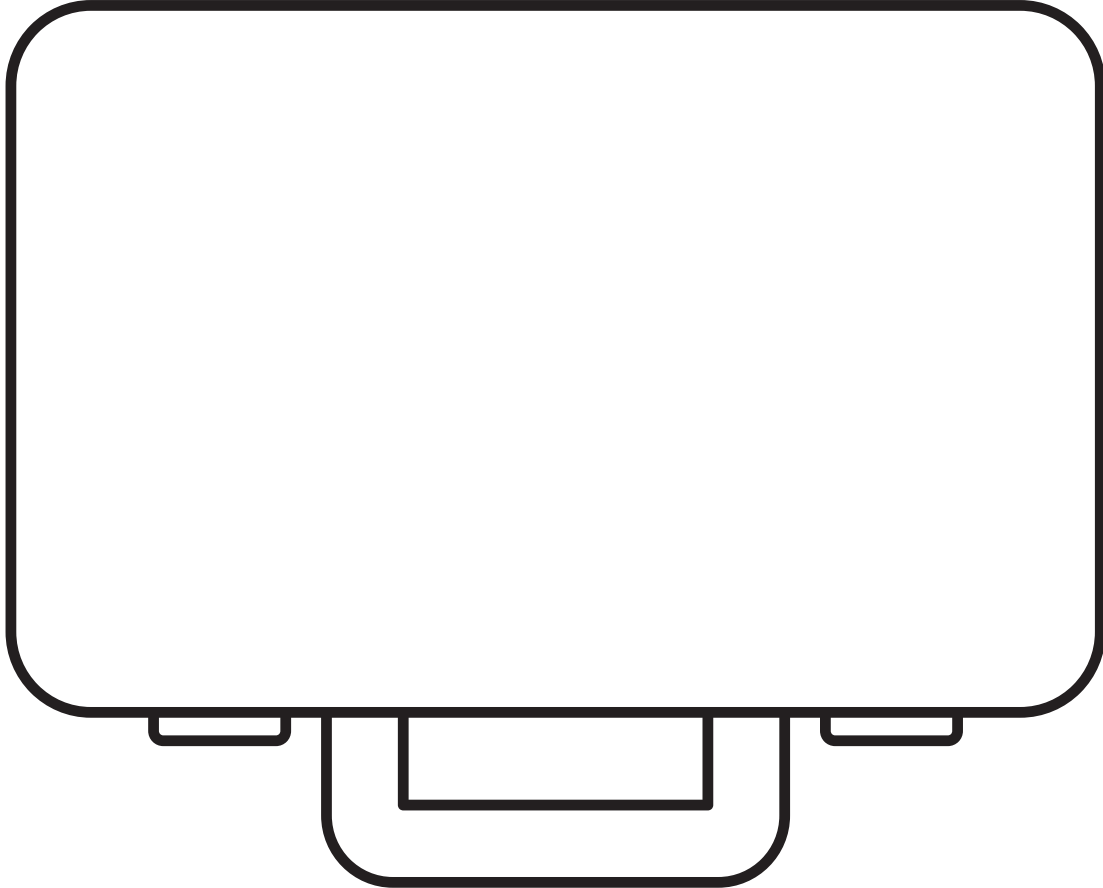
Let the students role play and have fun with their make believe documents. Have students cut and color their documents and pilot wingpin. Students can draw the items they want to bring in their suitcase and fold on the line.



I ♥ STEM Taught®



↶ Fold



Passenger Checklist

Students can use this in their make believe airport day. Have students write their names before getting on the pretend plane and one student can put an official stamp or check mark next to each student's name as they board.

<input type="checkbox"/>
<input type="checkbox"/>
<input type="checkbox"/>
<input type="checkbox"/>
<input type="checkbox"/>
<input type="checkbox"/>
<input type="checkbox"/>
<input type="checkbox"/>
<input type="checkbox"/>
<input type="checkbox"/>
<input type="checkbox"/>
<input type="checkbox"/>
<input type="checkbox"/>
<input type="checkbox"/>